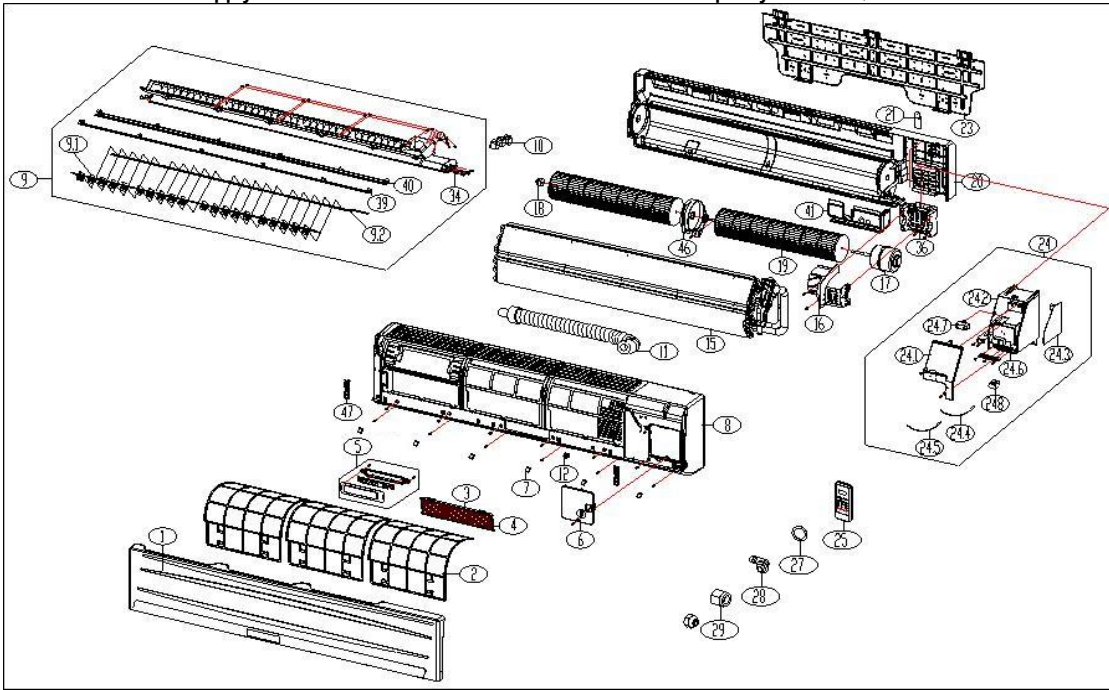


**Model Number** WB030GMFI16HLD  
**ProdCode :** 220033101400  
**Power Supply :** 220-230V~ 60Hz 1Phase

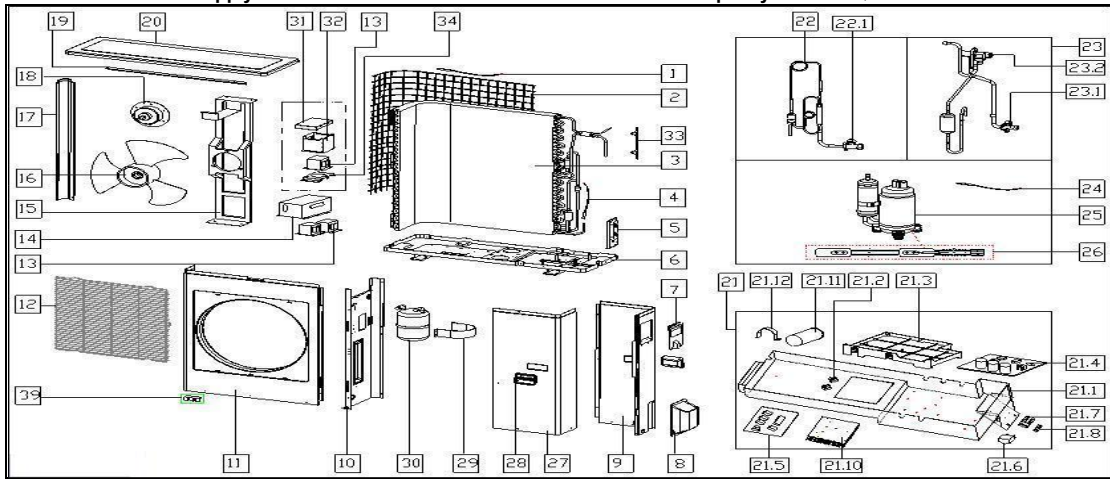
**Capacity:** 30,000 BTU



| No.  | Part Name                              | Quantity | BOM code     | Bin Code | Remark |
|------|--|----------|--------------|----------|--------|
| 1    | Panel assembly                         | 1        | 201133190205 | 143      |        |
| 2    | Air filter                             | 3        | 201133190183 | 6        |        |
| 3    | Air cleaner                            | 1        | 201131410703 | 2        |        |
| 4    | Bracket of air filter                  | 1        | 201132200713 | 2        |        |
| 5    | Display box assembly                   | 1        | 203333190104 | 84       |        |
| 6    | Cover of indoor electronic control box | 1        | 201133190209 | 4        |        |
| 7    | Screw cap                              | 6        | 201133190182 | 2        |        |
| 8    | Panel frame assembly                   | 1        | 201133190195 | 138      |        |
| 9    | Air outlet assembly                    | 1        | 201133190217 | 90       |        |
| 9.1  | Vertical vane                          | 20       | P0000858966  | 0        |        |
| 9.2  | Louver holder                          | 1        | P0000858991  | 0        |        |
| 9.2  | Louver holder                          | 1        | P0000956191  | 0        |        |
| 9.2  | Louver holder                          | 1        | P0000858983  | 0        |        |
| 9.2  | Louver holder                          | 1        | P0000858987  | 0        |        |
| 10   | Louver motor                           | 2        | 202400200136 | 29       |        |
| 11   | Drain hose                             | 1        | 201101020038 | 4        |        |
| 12   | Baffle of temperature sensor           | 1        | 201130490002 | 2        |        |
| 13   | Temperature sensor clamp               | 1        | 201131390119 | 2        |        |
| 15   | Evaporator assembly                    | 1        | 201533190088 | 904      |        |
| 16   | Fan motor cover                        | 1        | 201133190185 | 8        |        |
| 17   | Asynchronous motor                     | 1        | 202400401186 | 229      |        |
| 18   | Bearing base                           | 1        | 202733190001 | 2        |        |
| 18   | Bearing base                           | 1        | 202730100201 | 2        |        |
| 19   | Cross flow fan                         | 1        | 201100200308 | 48       |        |
| 19   | Cross flow fan                         | 1        | 201100200309 | 50       |        |
| 20   | Chassis assembly                       | 1        | 201133190208 | 197      |        |
| 21   | Pipe clamp board                       | 2        | 201232800001 | 2        |        |
| 23   | Installation plate                     | 1        | 201233190005 | 59       |        |
| 24   | Electronic control box assembly        | 1        | 203333190109 | 208      |        |
| 24.1 | Cover of electronic control box        | 1        | 201133190184 | 6        |        |
| 24.2 | Electronic control box                 | 1        | 201133190200 | 29       |        |
| 24.3 | Main control board assembly            | 1        | 201333190137 | 109      |        |
| 24.4 | Ambient temperature sensor assembly    | 1        | 202301300210 | 4        |        |
| 24.5 | Pipe temperature sensor assembly       | 1        | 202301300080 | 4        |        |
| 24.6 | Wire joint                             | 1        | 202301450128 | 6        |        |
| 24.7 | Fan motor capacitor                    | 1        | 202401100353 | 6        |        |
| 24.8 | Transformer                            | 1        | 202300900167 | 40       |        |
| 25   | Remote Controller                      | 1        | 203355091469 | 21       |        |
| 27   | Seal ring                              | 1        | 202720090001 | 2        |        |
| 28   | Drain connecter                        | 1        | 201101020011 | 2        |        |
| 29   | Nut                                    | 1        | 201600330004 | 2        |        |
| 29   | Nut                                    | 1        | 201600330002 | 2        |        |
| 34   | Insulated axis                         | 4        | 201132390954 | 2        |        |
| 36   | Base of fan motor                      | 1        | 201133190186 | 10       |        |
| 39   | Horizontal louver (above)              | 1        | 201133190192 | 17       |        |
| 40   | Horizontal louver (below)              | 1        | 201133190191 | 15       |        |
| 41   | Front cover of chassis                 | 1        | 201133190187 | 10       |        |
| 46   | Fan holder assembly                    | 1        | 201133190190 | 6        |        |
| 47   | Mandril of Panel                       | 2        | 201132390476 | 2        |        |

**Model Number** YN030GMFI16HLD  
**ProdCode :** 220038101310  
**Power Supply :** 220-230V~ 60Hz 1Phase

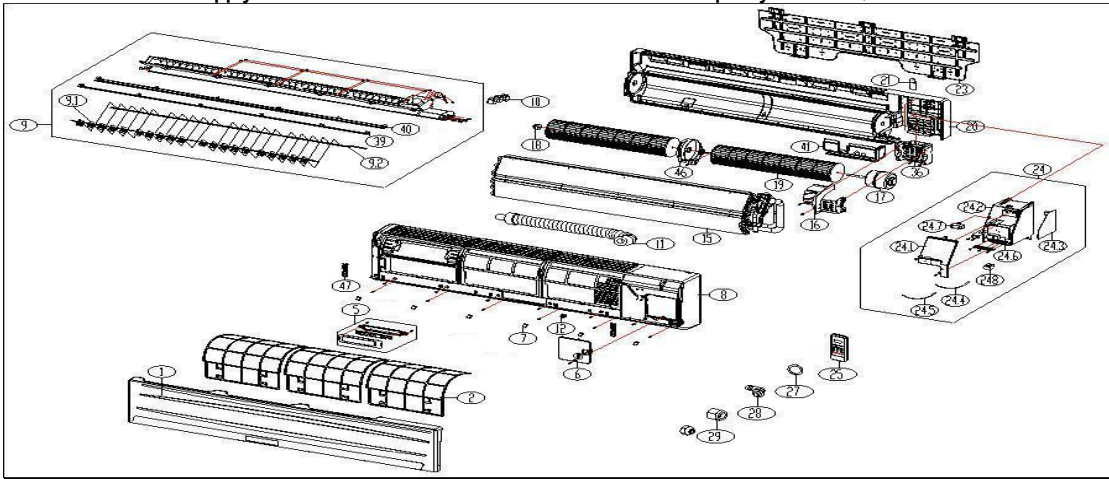
**Capacity:** 30,000 BTU



| No.   | Part Name                             | Quantity | BOM code     | Bin Code | Remark |
|-------|---------------------------------------|----------|--------------|----------|--------|
| 1     | Ambient temperature sensor assembly   | 1        | 202301310075 | 4        |        |
| 2     | Rear net                              | 1        | 2011482G0001 | 8        |        |
| 3     | Condenser assembly                    | 1        | 201538090077 | 1120     |        |
| 4     | Pipe temperature sensor assembly      | 1        | 202301300111 | 6        |        |
| 5     | Valve plate                           | 1        | 201248300316 | 8        |        |
| 6     | Chassis assembly                      | 1        | 201257190085 | 119      |        |
| 7     | Big handle                            | 1        | 201237390104 | 8        |        |
| 8     | Water collector                       | 1        | 201138090002 | 6        |        |
| 9     | Rear right clapboard assembly         | 1        | 201238090067 | 59       |        |
| 10    | Partition board assembly              | 1        | 201257390018 | 46       |        |
| 11    | Front panel                           | 1        | 201248200103 | 99       |        |
| 12    | Air outlet grille                     | 1        | 201238090068 | 29       |        |
| 13    | Reactance                             | 1        | 202301000913 | 92       |        |
| 13    | Reactance                             | 1        | 202301050027 | 174      |        |
| 13    | Reactance                             | 1        | 202301050025 | 189      |        |
| 14    | Cover of inductance                   | 1        | 201248390003 | 10       |        |
| 15    | Supporter assembly of fan motor       | 1        | 201238090007 | 67       |        |
| 16    | Axial flow fan                        | 1        | 201100300042 | 42       |        |
| 17    | Left supporter                        | 1        | 201248400036 | 12       |        |
| 18    | Asynchronous motor                    | 1        | 202400410666 | 300      |        |
| 19    | Rear supporter                        | 1        | 201248200095 | 8        |        |
| 20    | Top cover assembly                    | 1        | 201248300309 | 55       |        |
| 21    | Electronic control box assembly       | 1        | 203338190098 | 986      |        |
| 21.1  | Electronic control box                | 1        | 201238190016 | 40       |        |
| 21.2  | Rectifier bridge                      | 2        | 202300500328 | 15       |        |
| 21.3  | Installation plate of PCB             | 1        | 201157390005 | 12       |        |
| 21.4  | Main control board assembly           | 1        | 201338190072 | 461      |        |
| 21.5  | Inverter control board assembly       | 1        | 201338190053 | 407      |        |
| 21.6  | Fan motor capacitor                   | 1        | 202401190019 | 4        |        |
| 21.7  | Wire joint                            | 1        | 202301470038 | 6        |        |
| 21.7  | Wire joint                            | 1        | 202301450122 | 2        |        |
| 21.8  | Insulation plate                      | 1        | 201137300185 | 2        |        |
| 21.10 | Radiator                              | 1        | 202301900126 | 107      |        |
| 21.11 | Capacitor of compressor               | 1        | 202401070068 | 34       |        |
| 21.12 | Capacitor clip                        | 1        | 201200100057 | 2        |        |
| 22    | liquid valve assembly                 | 1        | 201638190490 | 55       |        |
| 22.1  | Liquid valve                          | 1        | 201600740706 | 25       |        |
| 23    | 4-way valve assembly                  | 1        | 201638190294 | 233      |        |
| 23.1  | Gas valve                             | 1        | 201600720398 | 48       |        |
| 23.2  | 4-Ways valve                          | 1        | 201600600119 | 117      |        |
| 24    | Discharge temperature sensor assembly | 1        | 202448200000 | 12       |        |
| 25    | Compressor                            | 1        | 201400601740 | 1781     |        |
| 27    | Front right clapboard assembly        | 1        | 201248200082 | 71       |        |
| 28    | Handle                                | 2        | 201148700009 | 2        |        |
| 29    | Fix clamp of segregator               | 1        | 201245000901 | 4        |        |
| 30    | accumulator cylinder                  | 1        | 201601000086 | 119      |        |
| 31    | Inductance cover                      | 1        | 201248390001 | 2        |        |
| 32    | Protecting board of inductance        | 1        | 201248390002 | 4        |        |
| 33    | Waterproof board                      | 1        | 201137990000 | 2        |        |
| 34    | Inductance holder                     | 1        | 201250200305 | 4        |        |
| 39    | Clamp of front net                    | 8        | 201135110801 | 2        |        |

Sale model : WB036GMFI36HLD  
 ProdCode : 220033101390  
 Power Supply : 220-230V~ 60Hz 1Phase

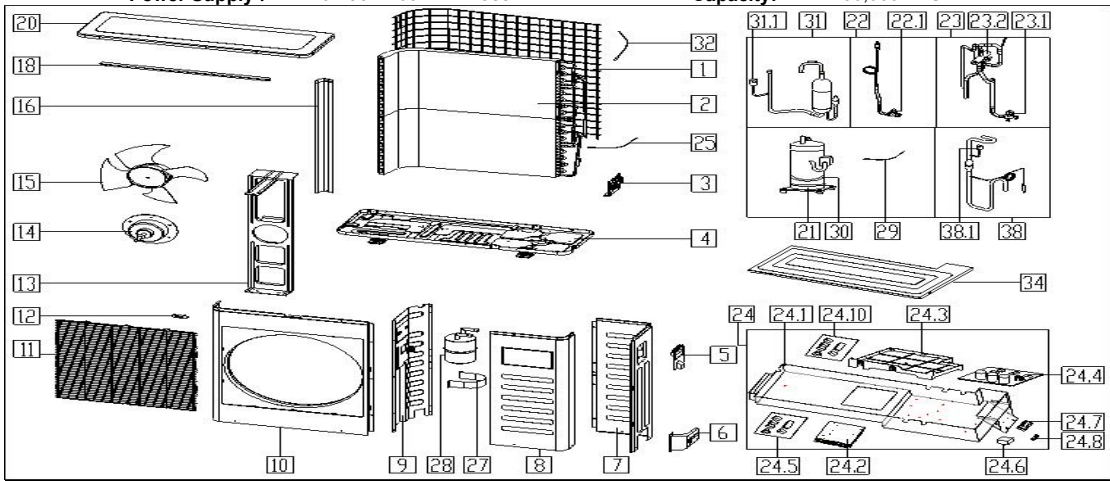
Capacity: 36,000 BTU



| No.  | Part Name                              | Quantity | BOM code     | Price | Remark |
|------|--|----------|--------------|-------|--------|
| 1    | Panel assembly                         | 1        | 201133190205 | 1433  |        |
| 2    | Air filter                             | 3        | 201133190183 | 57    |        |
| 5    | Display box assembly                   | 1        | 203333190104 | 841   |        |
| 6    | Cover of indoor electronic control box | 1        | 201133190209 | 38    |        |
| 7    | Screw cap                              | 6        | 201133190182 | 19    |        |
| 8    | Panel frame assembly                   | 1        | 201133190195 | 1376  |        |
| 9    | Air outlet assembly                    | 1        | 201133190194 | 898   |        |
| 9.1  | Vertical vane                          | 20       | P0000858966  | 0     |        |
| 9.2  | Louver holder                          | 1        | P0000956191  | 0     |        |
| 9.2  | Louver holder                          | 1        | P0000867119  | 0     |        |
| 9.2  | Louver holder                          | 1        | P0000858991  | 0     |        |
| 9.2  | Louver holder                          | 1        | P0000858983  | 0     |        |
| 9.2  | Louver holder                          | 1        | P0000858987  | 0     |        |
| 10   | Louver motor                           | 1        | 202400200137 | 134   |        |
| 10   | Louver motor                           | 2        | 202400200136 | 287   |        |
| 11   | Drain hose                             | 1        | 201101020038 | 38    |        |
| 12   | Baffle of temperature sensor           | 1        | 201130490002 | 19    |        |
| 13   | Temperature sensor clamp               | 1        | 201131390119 | 19    |        |
| 15   | Evaporator assembly                    | 1        | 201533190088 | 9040  |        |
| 16   | Fan motor cover                        | 1        | 201133190185 | 76    |        |
| 17   | Asynchronous motor                     | 1        | 202400401186 | 2293  |        |
| 18   | Bearing base                           | 1        | 202733190001 | 19    |        |
| 18   | Bearing base                           | 1        | 202730100201 | 19    |        |
| 19   | Cross flow fan                         | 1        | 201100200308 | 478   |        |
| 19   | Cross flow fan                         | 1        | 201100200309 | 497   |        |
| 20   | Chassis assembly                       | 1        | 201133190208 | 1969  |        |
| 21   | Pipe clamp board                       | 2        | 201232800001 | 19    |        |
| 23   | Installation plate                     | 1        | 201233190005 | 592   |        |
| 24   | Electronic control box assembly        | 1        | 203333190108 | 2083  |        |
| 24.1 | Cover of electronic control box        | 1        | 201133190184 | 57    |        |
| 24.2 | Electronic control box                 | 1        | 201133190200 | 287   |        |
| 24.3 | Main control board assembly            | 1        | 201333190136 | 1089  |        |
| 24.4 | Ambient temperature sensor assembly    | 1        | 202301300210 | 38    |        |
| 24.5 | Pipe temperature sensor assembly       | 1        | 202301300080 | 33    |        |
| 24.6 | Wire joint                             | 1        | 202301450128 | 57    |        |
| 24.7 | Fan motor capacitor                    | 1        | 202401100353 | 57    |        |
| 24.8 | Transformer                            | 1        | 202300900167 | 401   |        |
| 25   | Remote Controller                      | 1        | 203355091469 | 210   |        |
| 27   | Seal ring                              | 1        | 202720090001 | 19    |        |
| 28   | Drain connecter                        | 1        | 201101020011 | 19    |        |
| 29   | Nut                                    | 1        | 201600330004 | 19    |        |
| 29   | Nut                                    | 1        | 201600330002 | 19    |        |
| 36   | Base of fan motor                      | 1        | 201133190186 | 96    |        |
| 39   | Horizontal louver (above)              | 1        | 201133190192 | 172   |        |
| 40   | Horizontal louver (below)              | 1        | 201133190191 | 153   |        |
| 41   | Front cover of chassis                 | 1        | 201133190187 | 96    |        |
| 46   | Fan holder assembly                    | 1        | 201133190190 | 60    |        |
| 47   | Mandril of Panel                       | 2        | 201132390476 | 19    |        |

Sale model : YN036GMFI16RPD  
 ProdCode : 220038101300  
 Power Supply : 220-230V~ 60Hz 1Phase

Capacity: 36,000 BTU



| No.   | Part Name                           | Quantity | BOM code     | Bin Code | Remark |
|-------|-------------------------------------|----------|--------------|----------|--------|
| 1     | Rear net                            | 1        | 2011487G0001 | 10       |        |
| 2     | Condenser assembly                  | 1        | 201538190031 | 1110     |        |
| 3     | Valve plate                         | 1        | 201248790014 | 6        |        |
| 4     | Chassis assembly                    | 1        | 201275590093 | 136      |        |
| 5     | Big handle                          | 1        | 201237390104 | 8        |        |
| 6     | Water collector                     | 1        | 201148790000 | 8        |        |
| 7     | Rear right clapboard assembly       | 1        | 201248700256 | 69       |        |
| 8     | Front right clapboard assembly      | 1        | 201248700056 | 65       |        |
| 9     | Partition board assembly            | 1        | 201257290010 | 59       |        |
| 10    | Front panel                         | 1        | 201248700072 | 90       |        |
| 11    | Air outlet grille                   | 1        | 201248700055 | 33       |        |
| 12    | Clamp of front net                  | 10       | 201135110801 | 2        |        |
| 13    | Supporter assembly of fan motor     | 1        | 201275590200 | 57       |        |
| 14    | Asynchronous motor                  | 1        | 202400400956 | 377      |        |
| 15    | Axial flow fan                      | 1        | 201100300145 | 74       |        |
| 16    | Left supporter                      | 1        | 201248700262 | 13       |        |
| 18    | Rear net frame                      | 1        | 2012487G0011 | 6        |        |
| 20    | Top cover assembly                  | 1        | 201257190096 | 71       |        |
| 21    | Compressor                          | 1        | 201401500220 | 2867     |        |
| 22    | liquid valve assembly               | 1        | 201638190489 | 52       |        |
| 22.1  | Liquid valve                        | 1        | 201600740704 | 25       |        |
| 23    | 4-way valve assembly                | 1        | 201675590827 | 413      |        |
| 23.1  | Gas valve                           | 1        | 201600770802 | 73       |        |
| 23.2  | 4-Ways valve                        | 1        | 201600600124 | 233      |        |
| 24    | Electronic control box assembly     | 1        | 203338190097 | 1665     |        |
| 24.1  | Electronic control box              | 1        | 201275590179 | 67       |        |
| 24.2  | Radiator                            | 1        | 202301901085 | 126      |        |
| 24.3  | Installation plate of PCB           | 1        | 201157390005 | 12       |        |
| 24.4  | Main control board assembly         | 1        | 201338190047 | 382      |        |
| 24.5  | Inverter control board assembly     | 1        | 201357290001 | 463      |        |
| 24.6  | Fan motor capacitor                 | 1        | 202401190046 | 12       |        |
| 24.7  | Wire joint                          | 1        | 202301450118 | 6        |        |
| 24.8  | Insulation plate                    | 1        | 201137300185 | 2        |        |
| 24.10 | PFC module assembly                 | 1        | 201319901145 | 585      |        |
| 25    | Pipe temperature sensor assembly    | 1        | 202301300111 | 6        |        |
| 27    | Fix clamp of segregator             | 1        | 201245000901 | 4        |        |
| 28    | Accumulator cylinder                | 1        | 201601000074 | 119      |        |
| 29    | Discharge temperature sensor        | 1        | 202448200000 | 11       |        |
| 30    | Crankcase electric heater           | 1        | 202495030150 | 23       |        |
| 31    | Discharge pipe assembly             | 1        | 201675590834 | 155      |        |
| 31.1  | Pressure switch                     | 1        | 202301820020 | 29       |        |
| 32    | Ambient temperature sensor assembly | 1        | 202301310075 | 4        |        |
| 34    | Cover of electronic control box     | 1        | 201257190052 | 17       |        |
| 38    | Suction pipe assembly               | 1        | 201675590832 | 128      |        |
| 38.1  | Pressure switch                     | 1        | 202301820021 | 25       |        |